



**INTRODUCTION**

This Sub-Zero Service Parts Manual, Part #3758441, has been compiled with the latest service parts information.

**NOTE:** The following may be contained in, or after part descriptions:

- , B = carBon Unit
- , P = Platinum Unit
- , S = classic Stainless steel

- (See SN Breaks) = See Serial Number Breaks in Price List
- (PTS #.....) = Prior To Serial Number.....
- (SWS #.....) = Starting With Serial Number.....

**TABLE OF CONTENTS**

|   | <i>Page #</i> |
|---|---------------|
| <i>Model 648PRO Door and Drawer .....</i> | <i>2</i>      |
| <i>Model 648PRO Cosmetic .....</i>        | <i>4</i>      |
| <i>Model 648PRO Mechanical .....</i>      | <i>6</i>      |
| <i>Model 648PRO Sealed System .....</i>   | <i>8</i>      |

**NOTE:** The icemakers currently used in production do not offer individual service components. If problems with the icemaker are discovered, the entire icemaker must be replaced.

**TECHNICAL ASSISTANCE**

With questions regarding a Sub-Zero appliance and/or this manual, please contact:

*Sub-Zero Freezer Company, Inc.  
 ATTN: Service Department  
 P.O. Box 44988  
 Madison, WI 53744-4988*

*Customer Service & Parts / Warranty Claims  
 Phone #: (800) 332 - 9513*

*Technical Assistance  
 Phone #: (800) 919 - 8324*

*Customer Service & Technical Assistance  
 Facsimile #: (608) 441 - 5887*

*Parts / Warranty Claims  
 Facsimile #: (608) 441 - 5886*

*Service Department e-mail Address  
 customerservice@wolfappliance.com*

*Office Hours:  
 7:00 AM to 7:00 PM Central Time  
 Monday through Friday*

**This manual is designed to be used by Authorized Service Personnel only. Sub-Zero Freezer Co., Inc. assumes no responsibility for any repairs made on Sub-Zero refrigeration units by anyone other than Authorized Service Technicians.**

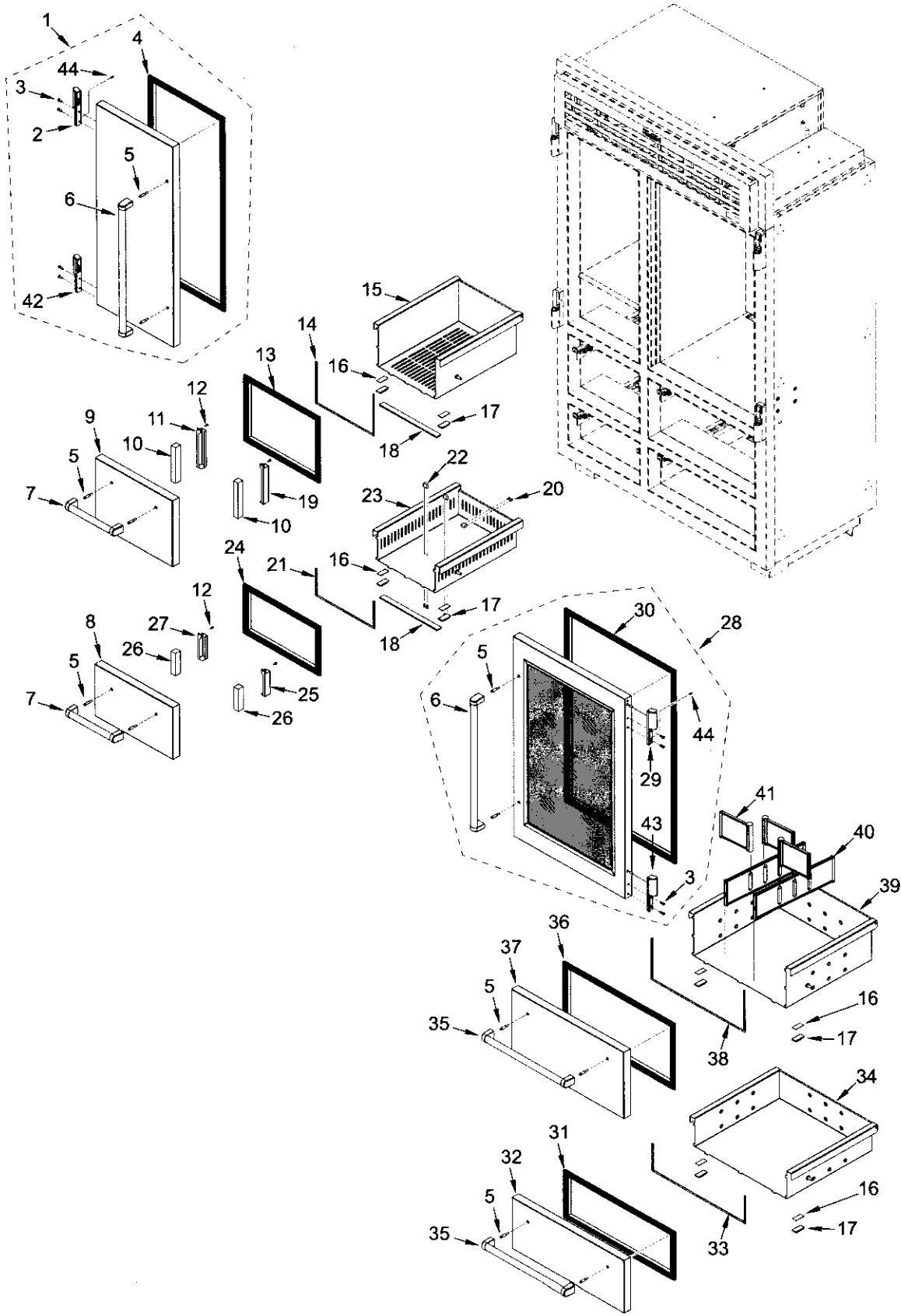
Information and images contained in this manual are the copyright property of Sub-Zero Freezer Company, Inc. Neither this manual nor any information or images contained herein may be copied or used in whole or in part without the express written consent of Sub-Zero Freezer Company, Inc.

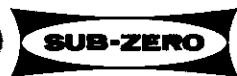
© Sub-Zero Freezer Company, Inc, all rights reserved.

## 648PRO DOOR PARTS LIST

| <u>Ref #</u> | <u>Part #</u> | <u>Description</u>              |
|--------------|---------------|---------------------------------|
| 1            | 7001786       | Door Assy, Fre Svce             |
| 2            | 7003690       | Hinge Assy, Fre Door Upper Svce |
| 3            | 6110900       | Screw, 1/4-20 x 3/4             |
| 4            | 3212400       | Gasket, Door Fre                |
| 5            | 3512380       | Stud, Mtg                       |
| 6            | 7001793       | Handle Assy, Door Svce          |
| 7            | 7001789       | Handle Assy, Drawer Svce        |
| 8            | 4135561       | Drawer Assy, Lwr Front Svce     |
| 9            | 4135551       | Drawer Assy, Upr Front Svce     |
| 10           | 3320840       | Insulation, Drawer Dike Upr     |
| 11           | 0235802       | Dike, Upr Drawer LH             |
| 12           | 6201670       | Screw, #8 Rivgrip               |
| 13           | 3212410       | Gasket, Upr Fre Drawer          |
| 14           | 3212362       | Seal, Drawer Tub                |
| 15           | 7001774       | Drawer Assy, Fre Upr Svce       |
|              | 3414450       | Tub, Upr Fre Drwr               |
| 16           | 6231730       | Tape, 3M VHB #4941 7/8 X 1-7/8  |
| 17           | 3414540       | Block, Tub Engagement           |
| 18           | 6231910       | Tape, Foam Polyethylene 1/4 X 1 |
| 19           | 0235801       | Dike, Upr Drawer RH             |
| 20           | 6201780       | Screw, M4X10 PH PAN HD          |
| 21           | 3212363       | Seal, Drawer Tub                |
| 22           | 3414640       | Stop, Ice Bucket                |
| 23           | 7001777       | Drawer Assy, Fre Lwr Svce       |
|              | 3414460       | Tub, Lwr Fre Drwr               |
| 24           | 3212420       | Gasket, Lwr Fre Drawer          |
| 25           | 0235811       | Dike, Lwr Drawer RH             |
| 26           | 3320850       | Insulation, Drawer Dike Lwr     |
| 27           | 0235812       | Dike, Lwr Drawer LH             |
| 28           | 7001765       | Door Assy, Ref Svce-Solid       |
|              | 7001768       | Door Assy, Ref Svce-Glass       |
|              | 7001771       | Door Assy, Ref HAG Svce         |
| 29           | 7003689       | Hinge Assy, Door Ref Upper Svce |
| 30           | 3212350       | Gasket, Door                    |
| 31           | 3212390       | Gasket, Drawer Lwr              |
| 32           | 4135531       | Drawer Assy, Lwr Front Svce     |
| 33           | 3212361       | Seal, Drawer Tub                |
| 34           | 7001783       | Drawer Assy, Ref Lwr Svce       |
|              | 3414440       | Tub, Lwr Ref Drawer             |
| 35           | 7001791       | Handle Assy, Drawer Svce        |
| 36           | 3212380       | Gasket, Drawer Upr              |
| 37           | 4135511       | Drawer Assy, Upr Front Svce     |
| 38           | 3212360       | Seal, Drawer Tub                |
| 39           | 7001780       | Drawer Assy, Ref Upr Svce       |
|              | 3414870       | Tub, Upr Ref Drawer             |
| 40           | 3414390       | Divider, Drawer (Long)          |
| 41           | 3414400       | Divider, Drawer (Short)         |
| 42           | 4152244       | Hinge Assy, Fre Svce            |
| 43           | 4152243       | Hinge Assy, Ref Svce            |
| 44           | 6202040       | Screw, Set #5-40 X 1/2 SS       |

**648PRO DOOR VIEW**

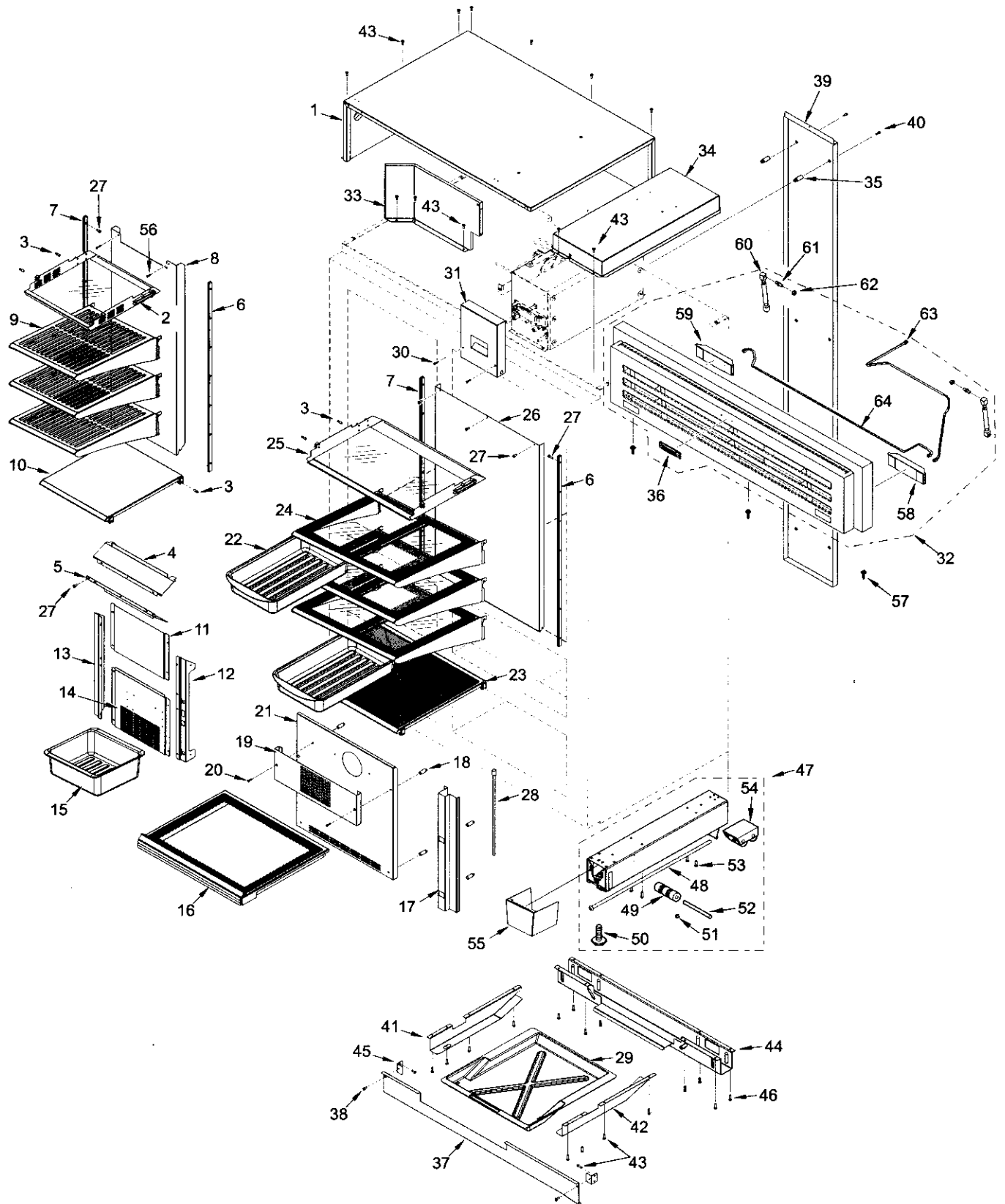




648PRO COSMETIC PARTS LIST

| <u>Ref #</u> | <u>Part #</u> | <u>Description</u>                    | <u>Ref #</u> | <u>Part #</u> | <u>Description</u>                       |
|--------------|---------------|---------------------------------------|--------------|---------------|--|
| 1            | 4281641       | Unit Shroud Assy, Svce                | 31           | 4152420       | Cover Assy , Tech Display Svce           |
| 2            | 4162901       | Diffuser Assy, Light Fre Svce         | 32           | 4242471       | Grill Assembly, SS                       |
| 3            | 6110890       | Bolt, Shoulder 1/4X5/16X .475         | 33           | 4281651       | Shroud Assy, Comp Svce                   |
| 4            | 0235640       | Shroud, Fan, Upper                    | 34           | 4152291       | Cover Assy, Main Control Svce            |
| 5            | 0235650       | Shroud, Fan, Lower                    | 35           | 6160310       | Standoff, Nylon 1"                       |
| 6            | 3602381       | Ladder, Ref Shelf RH                  | 36           | 3580260       | Logo, Stainless 4                        |
| 7            | 3602382       | Ladder, Ref Shelf LH                  | 37           | 0262830       | Kickplate                                |
| 8            | 0201380       | Cover, Fre Evap                       | 38           | 6200050       | Screw, #10-12x1/2 Pan HD B               |
| 9            | 3602480       | Frame, Fre Shelf                      | 39           | 0121670       | Duct, Back                               |
| 10           | 4600021       | Shelf Assy, Fre Bottom                | 40           | 6201860       | Screw,8-15 X 1-1/2 6-Lobe FH             |
| 11           | 0201400       | Cover, Fre Evap Upper                 | 41           | 0262260       | Support, Drain Pan LH                    |
| 12           | 4152440       | Bracket Assy, Evap Cover RH           | 42           | 0262270       | Support, Drain Pan RH                    |
| 13           | 4152450       | Bracket Assy, Evap Cover LH           | 43           | 6201940       | Screw,10-12 X 3/4 6-Lobe PH              |
| 14           | 4182311       | Cover, Fre Evap Lwr Assy Svce         | 44           | 0262280       | Support, Drain Pan Rear                  |
|              | 6111100       | Bolt,#8-32X3/8 6-Lobe TR HD           | 45           | 0262960       | Kickplate Sprt, Side Bracket             |
| 15           | 4182310       | Bucket, Ice Assy Svce                 | 46           | 6201810       | Screw,#10-32X3/4 TapTite PN TX           |
|              | 3250260       | Handle, Ice Bucket                    | 47           | 4110505       | Roller Base Assy,648PRO Svce             |
| 16           | 4182201       | Crisper Lid Assy, Svce                | 48           | 6111000       | Screw, Adjusting 1/4-20 X 20.5           |
| 17           | 0213150       | Evap Cover, RH Bracket(See SN Breaks) | 49           | 3421240       | Cabinet Roller                           |
|              | 0213490       | Evap Cover, RH Bracket(See SN Breaks) | 50           | 3570050       | Leveling Leg, #18-3/8 x 1"               |
| 18           | 6220610       | Standoff, 1.062                       | 51           | 3450620       | Canoe Clip                               |
| 19           | 0213100       | Cover, Fan                            | 52           | 3550560       | Straight Pin, Base Assy - .312" x 2.88"  |
| 20           | 6201920       | Screw, 8-15X2 6 Lobe PH               | 53           | 6201930       | Screw,8-18 X 5/8 6-Lobe PH               |
| 21           | 0201370       | Cover, Reff Evap Lower                | 54           | 4110506       | Base Assy, Rear Rollers                  |
| 22           | 3414350       | Bin, Ref                              | 55           | 4110481       | Cover Assy, Leveling Leg Svce            |
| 23           | 4600031       | Shelf Assy, Ref Bottom Svce           | 56           | 6201980       | Screw,#8-15X2-3/4 6-Lobe PH              |
| 24           | 4600011       | Shelf Assy, Ref Svce                  | 57           | 6110910       | Machine Screw,1/4-20 X 1                 |
| 25           | 4162891       | Diffuser Assy, Light Ref Svce         | 58           | 4163110       | Assy,User Dsplay Temp Svce (Rt side)     |
| 26           | 0201360       | Cover, Ref Evap Upper                 | 59           | 4163120       | Assy,User Dsplay Temp/Fitr Svce(Lt side) |
| 27           | 6201670       | Screw, #8 Rivgrip                     | 60           | 3451070       | Spring, Grille Gas                       |
| 28           | 3024260       | Tube, Ref Drain Up                    | 61           | 3530960       | Stud, Ball 10MM                          |
| 29           | 0235600       | Drain Pan                             | 62           | 6151060       | Nut, Serrated 5/16-18 Hex                |
| 30           | 6201920       | Screw, 8-15X2 6-Lobe PH               | 63           | 7003932       | W/H Network Svce                         |
|              |               |                                       | 64           | 7003931       | W/H Network Svce                         |

**648PRO COSMETIC VIEW**



### 648PRO SEALED SYSTEM PARTS LIST

| <u>Ref #</u> | <u>Part #</u> | <u>Description</u>   |
|--------------|---------------|--|
| 1            | 6110860       | Bolt, 5/16-18 X1-3/4 Hex HD  |
| 2            | 6240050       | Washer, Flat 5/16"   |
| 3            | 3150010       | Rubber Grommet, Small, 5/8"  |
| 4            | 6160030       | Spacer, 5/16 x 7/16 x 5/8"   |
| 5            | 4204741       | Pckg, Comp Fre VEGY (V-Spd) SVCE (Includes Inverter)                       |
| 6            | 7003828       | Inverter, VEGY Compressor Svce   |
| 7            | 4201880       | Compressor, Ref. (Service)   |
|              | <b>NOTE:</b>  | <b>VARIABLE SPEED COMPRESSOR NOT AVAILABLE FOR SERVICE.</b>                |
|              | 3112211       | Electrical Assy, EMU30HSC (Used w/Production EMU30HSC Comp)                |
|              | 3112500       | Capacitor, 12MF (Used w/Production EMU30HSC Comp)                          |
|              | 3111370       | Relay, EMB 1351400 OR 213514008 (Used w/Service Comp)                      |
|              | 3111410       | Overload, (4TM734LFB) (Used w/Service Comp)                                |
| 8            | 4231031       | Shroud Assy, Condenser Fan   |
|              | 3120490       | Condenser, Dual  |
| 9            | 6201670       | Screw, #8 Rivgrip  |
| 10           | 4211830       | Evaporator Assembly  |
|              | 3130640       | Evaporator, Ref  |
|              | 4251620       | Heat Exch Assy, Ref Evap   |
| 11           | 4211830       | Evaporator Assembly  |
|              | 3130640       | Evaporator, Ref  |
|              | 4251620       | Heat Exch Assy, Ref Evap   |
| 12           | 4290461       | Valve Assy, Aweco Svce   |
| 13           | 6201930       | Screw, 8-18 X 5/8 6 Lobe PH  |
| 14           | 3421410       | Drain Pan Heater Loop Support  |
| 15           | 2600138       | Drain Pan Htr Loop   |
| 16           | 3320780       | Spacer, Foam Evap  |
| 17           | 3320770       | Spacer, Foam Evap  |
| 18           | 4211821       | Evap Assy, Fre Svce  |
|              | 3130760       | Evaporator, Fre  |
|              | 4251630       | Heat Exch Assy, Fre Evap   |
| 19           | 6231800       | Tape, Foam XLPE  |
| 20           | 3014230       | Filter-Drier, High Side  |
| 21           | 3014100       | Drier, Suct Line (Service Only)  |
| 22           | 7003829       | Inverter, VEMY3 Compressor Svce. (Use w/Production VEMY3 V-Speed Ref Comp) |
| 23           | 3520500       | Tube, Fitting Tee-5/16"ID  |

**648PRO SEALED SYSTEM VIEW**

