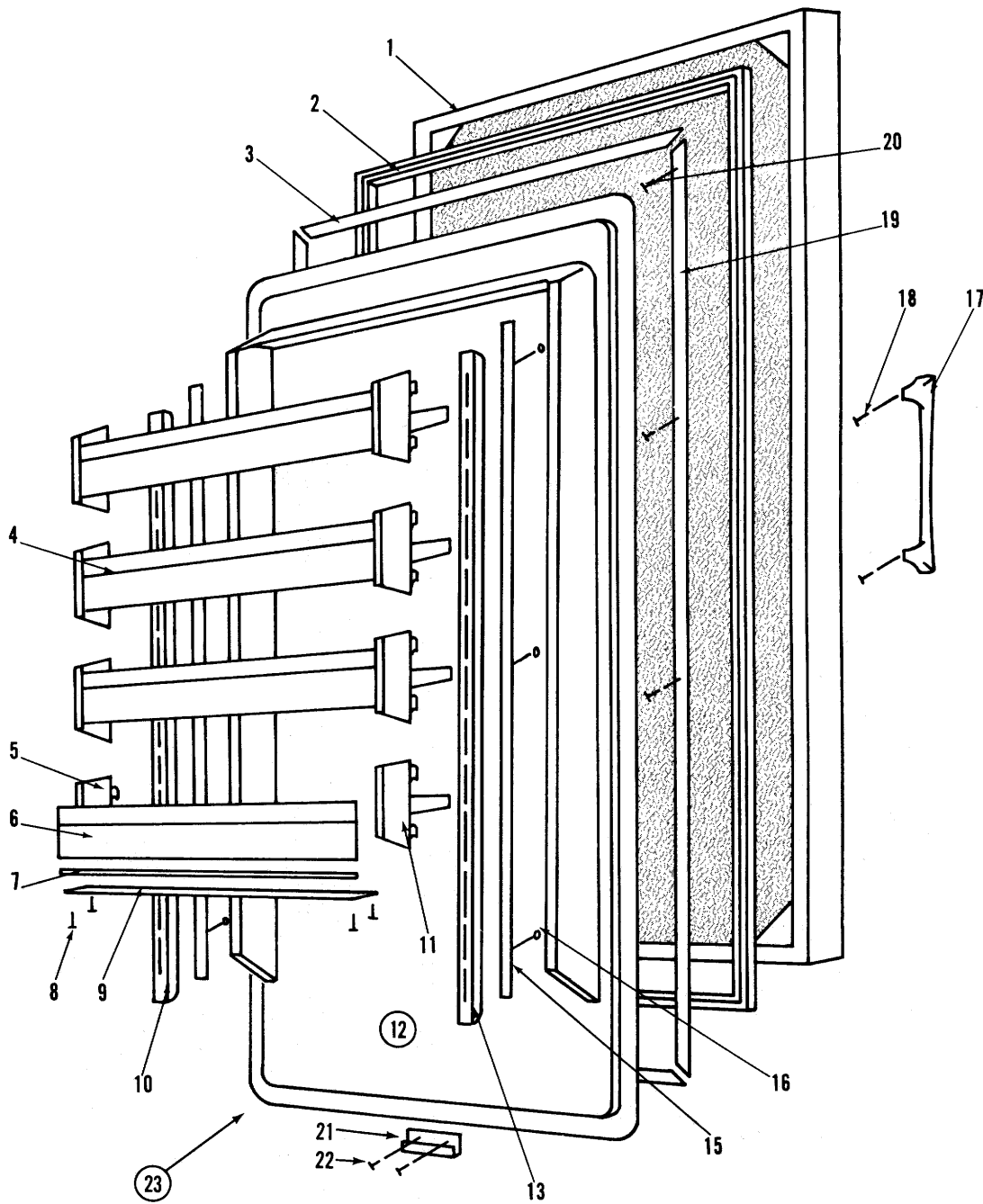


215 FD DOORS

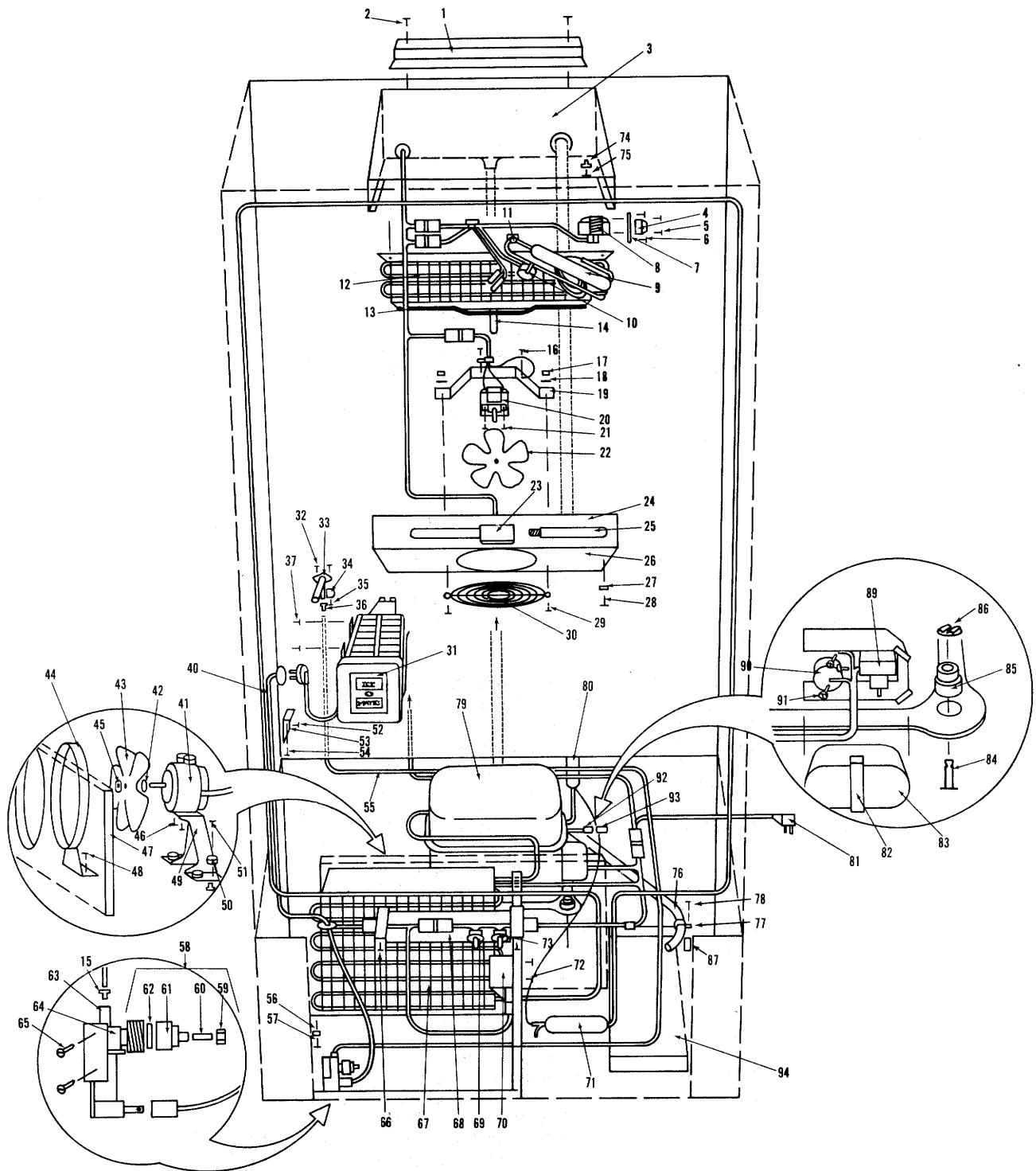


Item #	Part #	Description	Item #	Part #	Description
1	0-47037-0	Door Shell	13	2-2145-09	Door Shelf Ladder, 43-5/16
2	3-21-005-0	Door Gasket, 33.813 x 58.375	15	4-15-021-0	Door Shelf Ladder Holder Assembly, 40.5
3	3-42-022-0	Top & Bottom Gasket Retainer, 33.312	16	6-15-032-0	Nut, #8-32 Pa1 (D0832075)
4	4-33-011-0	Door Shelf Assembly, 29-1/8	17	3-51-008-0	Door Handle, 1-1/2 x 14
5	3-60-022-2	Left Side Door Shelf End Cap	18	6-11-009-0	Bolt, #10-24 x 1/2 Truss Head
6	3-51-011-0	Door Shelf Guard, 28.375	19	3-42-025-0	Side Gasket Retainer, 57.875
7	1-2163-00	Door Shelf Tray Support, 25-7/8	20	6-20-041-0	Screw, #8 x 1/2 Slot Head Hex
8	6-20-039-0	Screw, #6 x 3/8 PH T25 Flat Head	21	0-48079-1	Switch Depressor (White)
9	2-8061-01	Door Shelf Tray, 26.81	22	6-11-009-0	Bolt, #10-24 x 1/2 Truss Head
10	2-2145-09	Door Shelf Ladder, 43-5/16	23	4-13-064-1	Complete Door Assembly, Right Hand
11	3-60-022-1	Right Side Door Shelf End Cap		4-13-064-2	Complete Door Assembly, Left Hand
12	0-18217-0	Door Liner			

215 FD SYSTEM VIEW

Item #	Part #	Description	Item #	Part #	Description
1	0-23196-0	Blower Bracket, 13-7/8	48	6-20-002-0	Screw, #7-16 x 1/2 Pan Head
2	6-20-002-0	Screw, #7-16 x 1/2 Pan Head	49	2-8016-03	Fan Bracket, 2-1/4
3	0-23182-0	Blower Wrapper	50	3-22-016-0	Grommet, 3/16 x 7/16 x 9/32
4	3-01-241-0	Control Knob	51	6-20-043-0	Screw, #8-18 x 1/2
5	6-11-005-0	Bolt, #8-32 x 3/8 Truss Head	52	6-20-014-0	Screw, #8-15 x 3/8 Truss Head
6	6-20-014-0	Screw, #8-15 x 3/8 Truss Head	53	625910	Bracket
7	3-01-209-0	Faceplate, 1-7/8 x 4-5/16	54	488646	Screw
8	3-01-206-0	Control	55	2-6006-09	Plastic Water Tube, 66"
9	3-01-101-0	Accumulator, 1-1/4 x 8-7/8	56	6-15-008-0	Nut, #10-24 Flat
10	4-32-093-0	Defrost Terminator Assembly	57	6-11-002-0	Bolt, #10-24 x 3/8 Truss Head
11	6-12-016-0	Plastic Cord Clip, 5/16 x 1/2	58	3-52-011-0	Water Inlet Fitting Assembly
12	3-13-002-0	Evaporator Coil, 4 x 6 x 14	59	3-52-023-0	Compression Nut
13	4-32-090-0	Defrost Heater Assembly	60	3-52-022-0	Ball Sleeve
14	3-01-332-0	Drain Tube Heater, 28.5	61	3-52-021-0	Water Valve Fitting
15	3-52-012-0	Brass Insert, 3/16 x 9/32	62	3-21-003-0	Water Valve Gasket
16	6-18-001-0	Pop Rivet, 1/8 Aluminum	63	3-52-003-0	Icemaker Nut; Nylon, 1/4
17	6-15-013-0	Nut, 1/4-20 Hex S/S	64	3-09-002-0	Solenoid Valve
18	6-24-007-0	Lock Washer, 1/4 S/S	65	6-20-002-0	Screw, #7-16 x 1/2 Pan Head
19	0-23222-0	Fan Bracket, 7/8 x 3-1/2 x 8	66	6-20-002-0	Screw, #7-16 x 1/2 Pan Head
20	4-20-016-0	Freezer Fan Motor, 23 Watt	67	3-12-008-0	Condenser, 3-5/16 x 8 x 13-7/8
21	6-11-027-0	Bolt, #10-32 x 1/4 Round Head	68	0-16413-0	Switch Housing
22	3-15-006-0	Fan Blade; 5 Prop, 5-1/2"	69	3-06-002-0	Door Switch, Normally Open (Fan)
23	3-05-002-0	Light Socket, 3/4 Double	70	3-08-105-0	Defrost Timer
24	0-16316-0	Blower Cover	71	3-01-405-0	Drier, 1/4 x .095
25	3-03-004-0	Light Bulb; 40 Watt, 7/8 x 5-1/2	72	6-20-034-0	Screw, #6-20 x 1/2 Pan Head
26	3-52-005-0	Brass Insert	73	3-06-003-0	Door Switch, Normally Closed (Light)
27	3-21-001-0	Gasket, 1/16 x 3/16 x 1/2	74	6-15-009-0	Wellnut, #10-32
28	6-20-012-0	Screw, #10-12 x 1/2 Truss Head	75	6-11-012-0	Bolt, #10-32 x 5/8 Truss Head
29	6-11-016-0	Bolt, 1/4 x 3/4 Hex Head	76	1-6014-00	Drain Tube, 5/8" x 6'
30	3-53-009-0	Fan Grille, 6-1/4	77	6-12-005-0	Plastic Tube Clamp, 5/8
31	3-14-007-0	Icemaker (Use 3-14-008-0 in Canada <u>Only</u>)	78	6-20-019-0	Screw, #10-12 x 1-1/2 Pan Head
32	6-20-008-0	Screw, #8-15 x 1/2 Truss Head	79	3-11-050-0	Compressor (AE1410A)
33	2-6008-02	Water Inlet Tube, 4-5/8	80	4-25-050-0	Heat Exchanger Assembly
34	6-12-012-0	Tube Clamp, 3/8 Steel	81	3-02-229-0	Gray Power Cord
35	6-20-033-0	Screw, #8-18 x 3/8 Pan Head	82	3-11-063-0	Terminal Cover Strap
36	3-52-005-0	Brass Insert	83	3-11-062-0	Terminal Cover
37	6-20-032-0	Screw, #8-32 x 1/2 Truss Head	84	6-22-010-0	Compressor Stud, 13/16 x 1-1/4
40	4-32-062-0	Icemaker Wiring Harness	85	3-15-017-0	Rubber Grommet, 15/16 x 1.25
41	3-15-028-0	Condenser Fan Motor; 1.5 Watt, 4 Pole	86	3-45-004-0	Compressor Clip, 7/8 x 3/16
42	3-21-034-0	Neoprene Silencer, 7/8"	87	6-16-005-0	Spacer, 7/32 x 3/8 x 1-1/8
43	3-15-027-0	Fan Blade; 5 Prop, 7"	89	3-11-051-0	Start Relay (GE3ARR12-WR17)
44	4-15-057-0	Fan Guard Assembly	90	3-11-052-0	Overload (MRT 28AGK-296)
45	6-15-041-0	Nut, 1/4-20	91	6-11-034-0	Screw, Slot Head
46	6-20-049-0	Screw, #8-32 x 3/8 Type 25 Slotted Hex	92	3-09-001-0	Base Valve
47	2-4013-06	Unit Fan Shroud	93	3-09-008-0	Valve Cap

215 FD SYSTEM VIEW



215 FD COSMETIC VIEW

<u>Item #</u>	<u>Part #</u>	<u>Description</u>
2	3-57-004-0	Leveling Leg, 3/8-18 x 1-1/2
3	6-22-013-0	Ball Stud
4	4-11-017-0	Unit Base Assembly
5	3-54-029-0	Lower Hinge, Right Hand
	3-54-030-0	Lower Hinge, Left Hand
6	6-11-007-0	Bolt, 1/4-20 x 5/8 Hex Head
7	2-8058-01	Door Closer
8	3-42-007-0	Hinge Bearing
9	6-20-032-0	Screw, #8-32 x 1/2 Truss Head
10	6-18-001-0	Pop Rivet, 1/8 Aluminum
11	0-46121-0	Grille Shroud
12	4-24-026-1	Grille Assembly, Right Hand
	4-24-026-2	Grille Assembly, Left Hand
13	6-15-014-0	Spring Grip Nut, 1/8
14	3-58-002-0	Nameplate, 13/16 x 4-9/16
15	4-18-043-0	Roll Out Basket Assembly
16	2-2124-01	Basket Handle, 29-1/4
17	3-60-035-0	Stationary Shelf, 31"
18	3-41-002-4	Basket Slide; Drawer, Left Side
	3-41-002-3	Basket Slide; Drawer, Right Side
19	6-24-003-0	Plastic Washer, 3/16 x .100
20	6-24-004-0	Flat Washer, 1/4
21	6-11-009-0	Bolt, #10-24 x 1/2 Truss Head
22	4-18-013-0	Ice Bucket Assembly
23	3-41-004-0	Ice Bucket Handle, 1 x 7-3/8
24	3-60-030-0	Cantilever Shelf, 31"
25	3-51-512-0	Baffle Extrusion, 31.63
26	2-8074-01	Trim Mounting Strip
27	4-15-048-0	Blower Baffle Assembly
28	0-16273-1	Back Cover (White)
29	6-20-025-0	Screw, #8-18 x 1/4 Pan Head
30	3-42-007-0	Hinge Bearing
31	3-54-031-0	Top Hinge, Right Hand
	3-54-032-0	Top Hinge, Left Hand
32	6-11-026-0	Bolt, 1/4-20 x 1/2 Flat Head
33	2-8073-13	Side Breaker Strip, 57-1/8
34	6-20-002-0	Screw, #16 x 1/2 Pan Head
35	3-42-034-0	#8 Nylon Screw Insulator
36	6-20-032-0	Screw, #8-32 x 1/2 Truss Head
37	2-2216-03	Right Side Cantilever Shelf Ladder
38	6-20-014-0	Screw, #8-15 x 3/8 Truss Head
40	6-22-001-0	Simmons Fastener, 1/2
41	6-20-014-0	Screw, #8-15 x 3/8 Truss Head
42	6-22-012-0	Screw Grommet, 3/8 x 3/4
43	6-20-045-0	Screw, #8-1 Type AB Flat Head
44	3-41-002-1	Basket Slide; Cabinet, Right
	3-41-002-2	Basket Slide; Cabinet, Left
45	0-23205-0	Freezer Duct Cover
46	6-20-032-0	Screw, #8-21 x 1/2 Truss Head
47	3-42-034-0	#8 Nylon Screw Insulator
48	2-2216-04	Left Side Cantilever Shelf Ladder
49	2-8073-15	Top & Bottom Breaker Strip, 32-7/8
50	6-20-023-0	Screw, #8-13 x 1/2 Hex Head

215 FD COSMETIC VIEW

